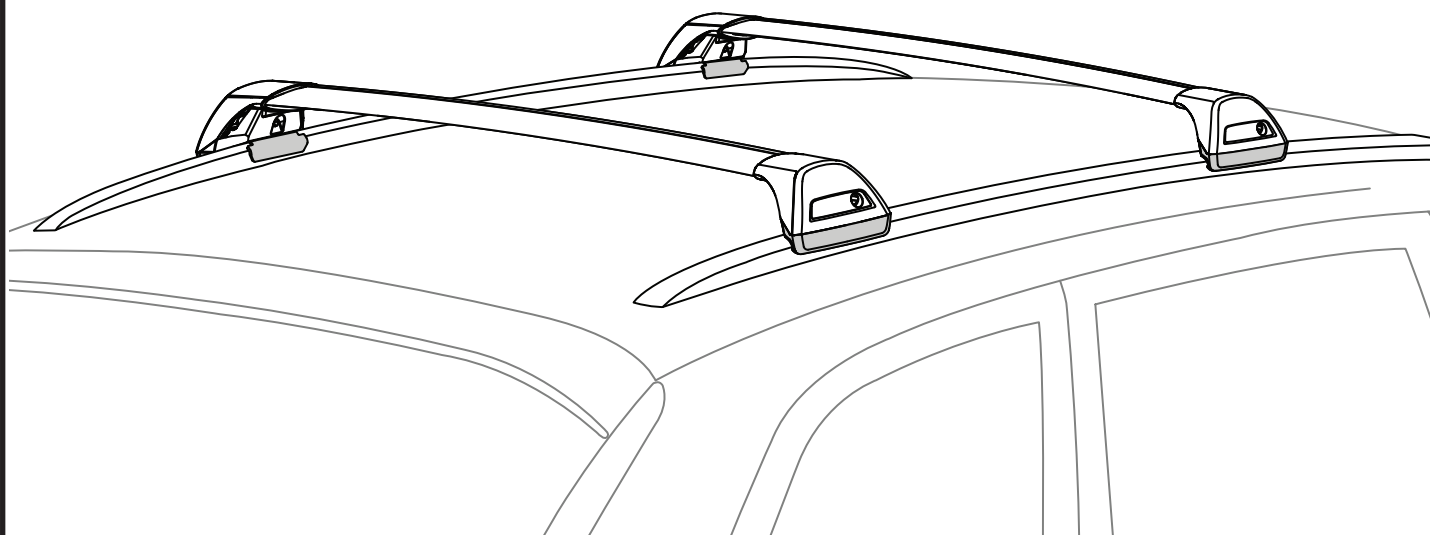


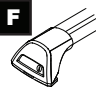
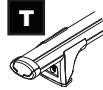
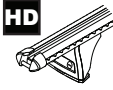



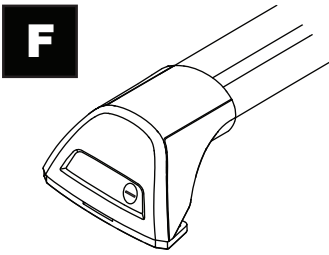
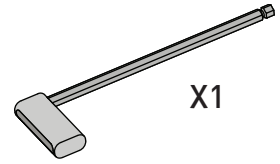
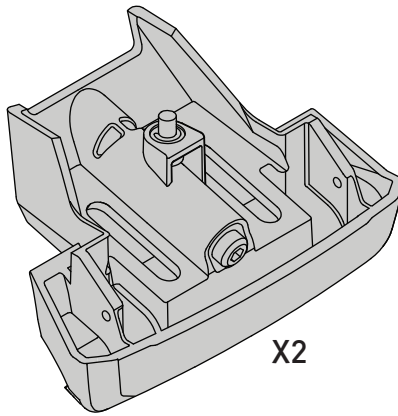
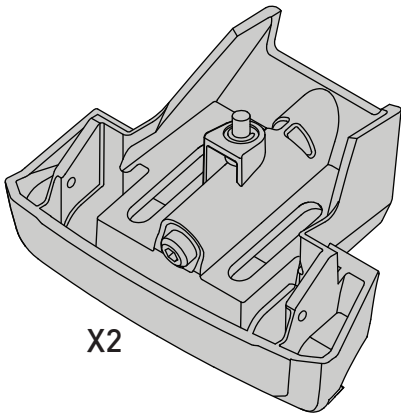
K1025

Fitting Kit

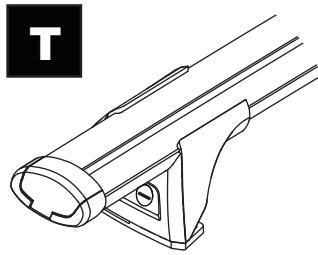


MAX kg (lb)			
		F 	T 
Jaguar F-Pace 5dr SUV 2016+	EU, AU, NZ, ZA, CN, US	HD 	P 
		75 kg (165 lb)	

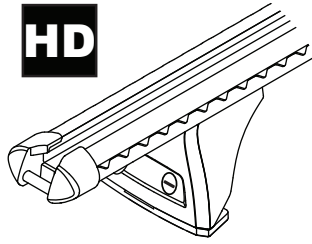
CONTENTS • CONTENUTO • CONTENIDO • INHALT • CONTENUTI



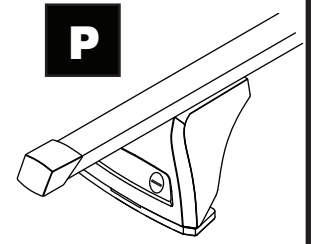
Flush Bar (F)



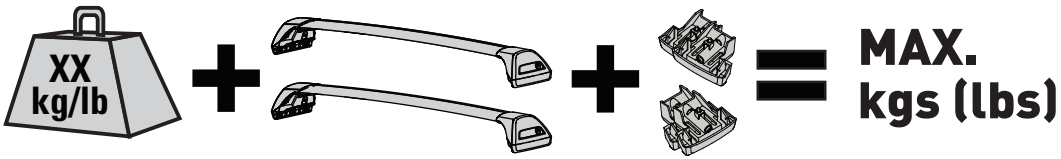
Through Bar (T)



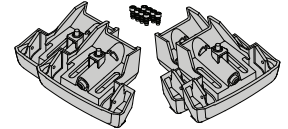
Heavy Duty Bar (HD)



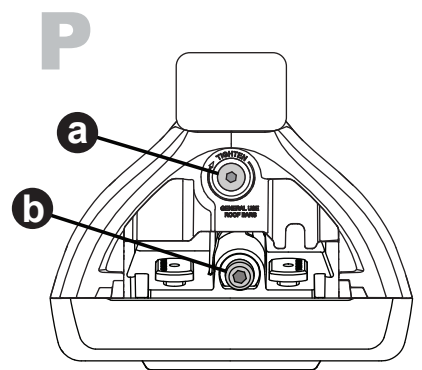
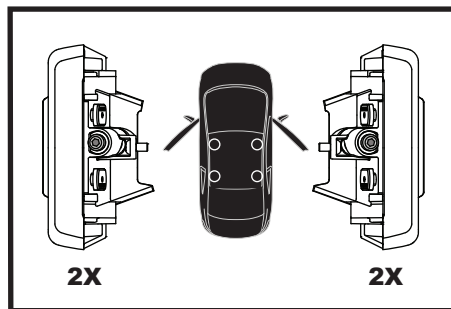
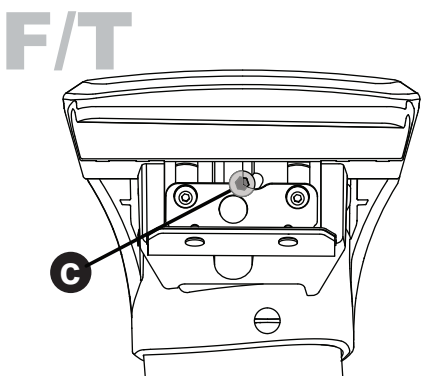
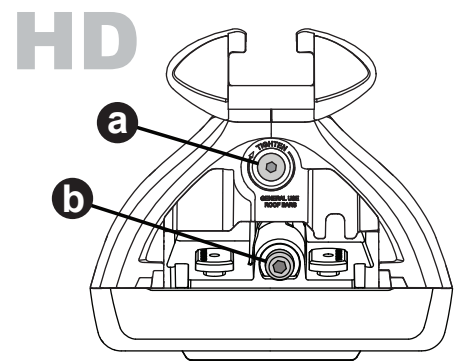
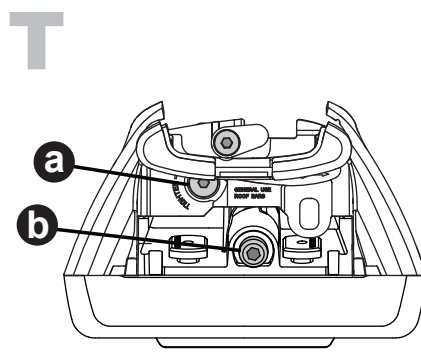
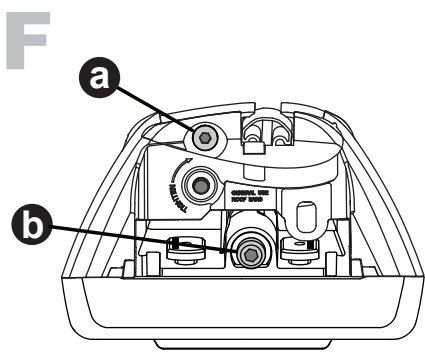
Square Bar/P-Bar (P)

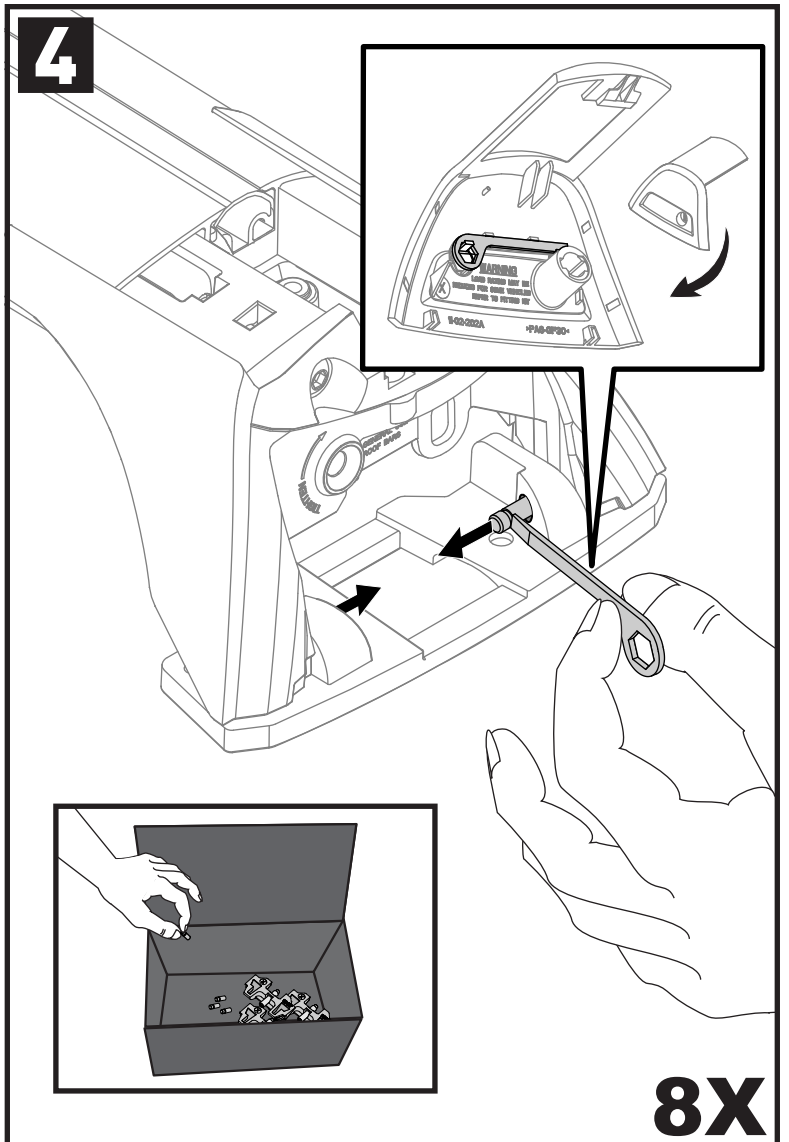
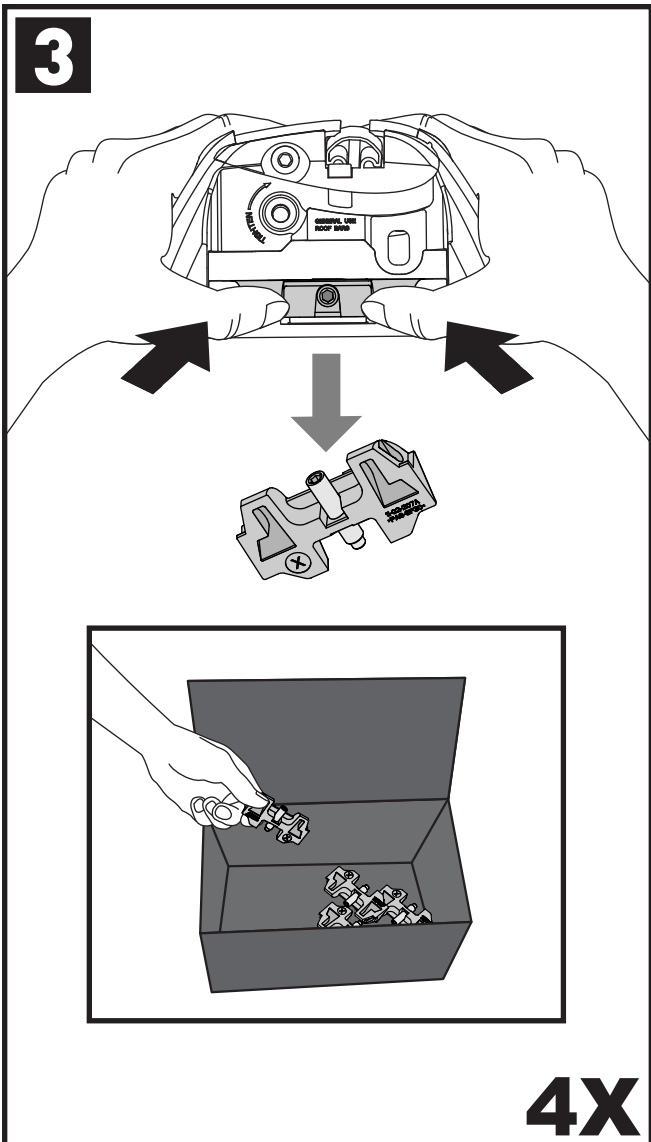
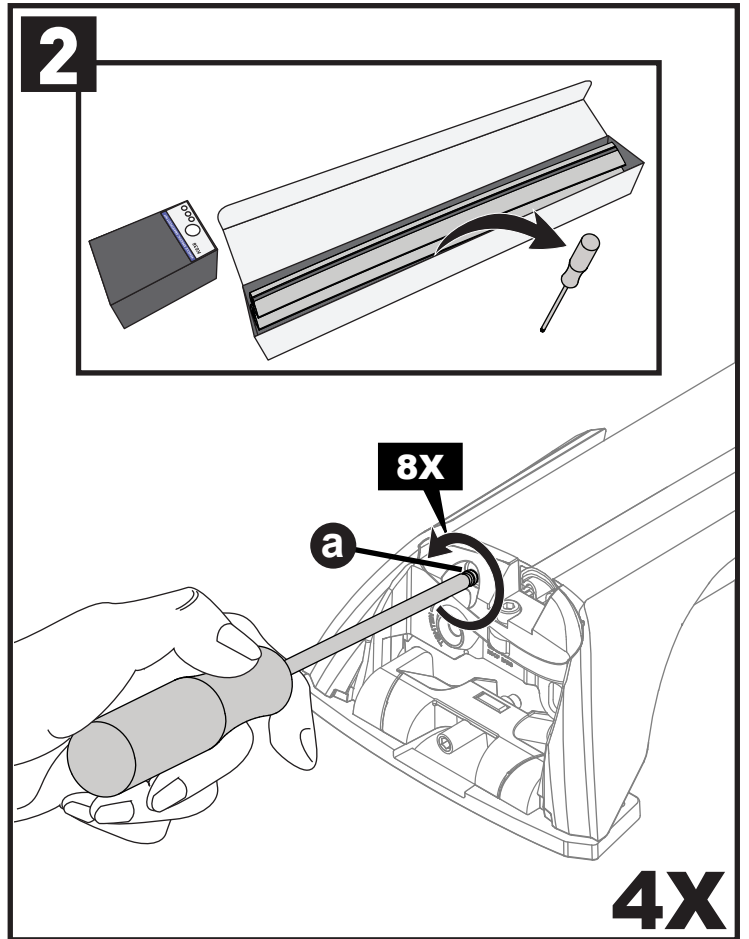
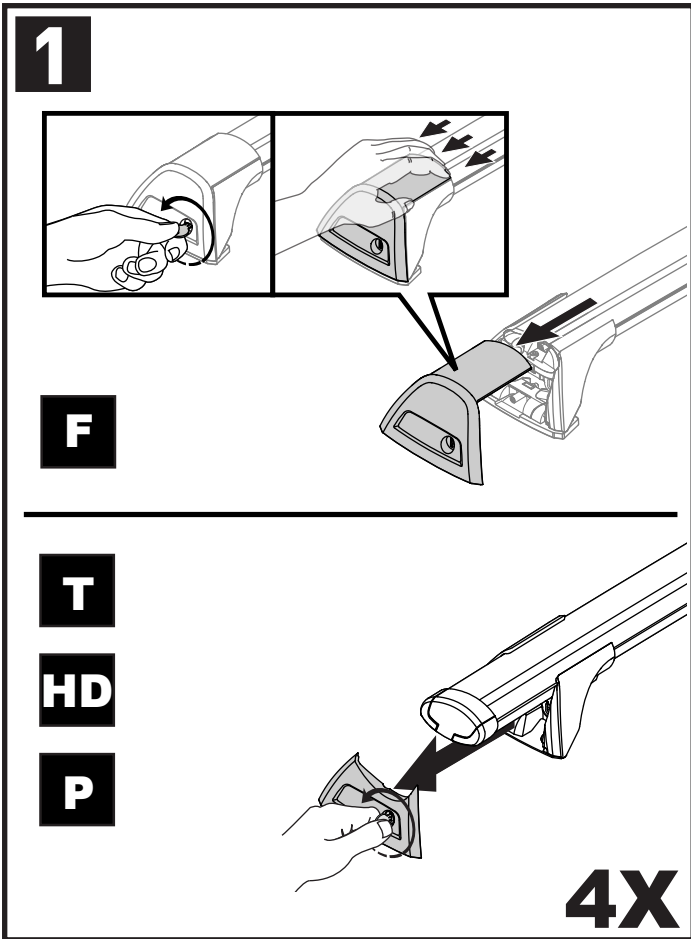


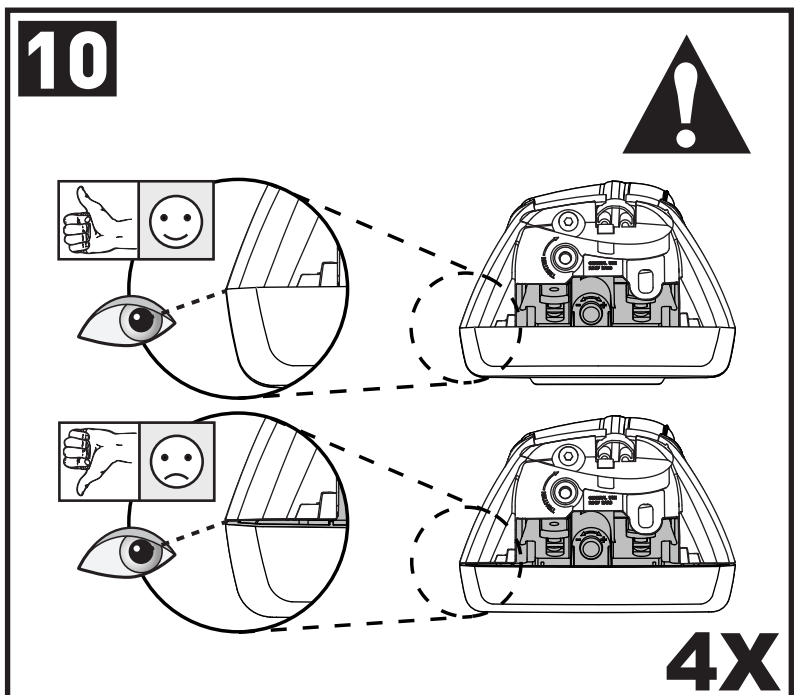
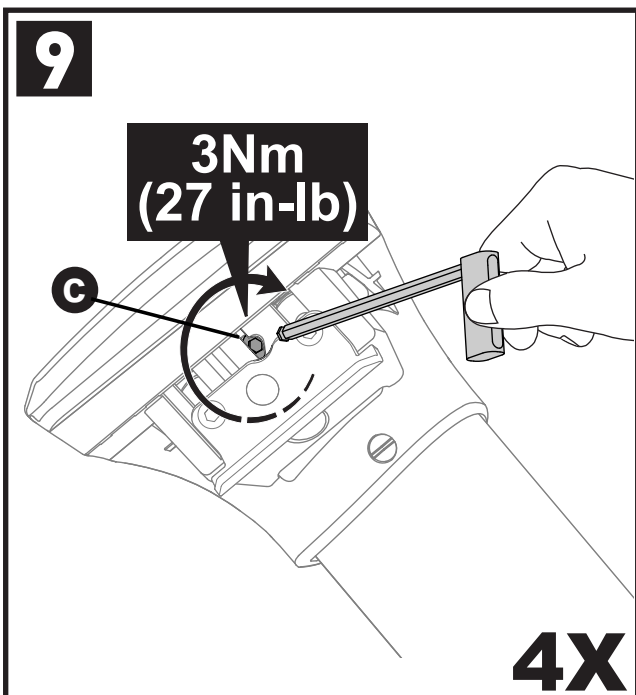
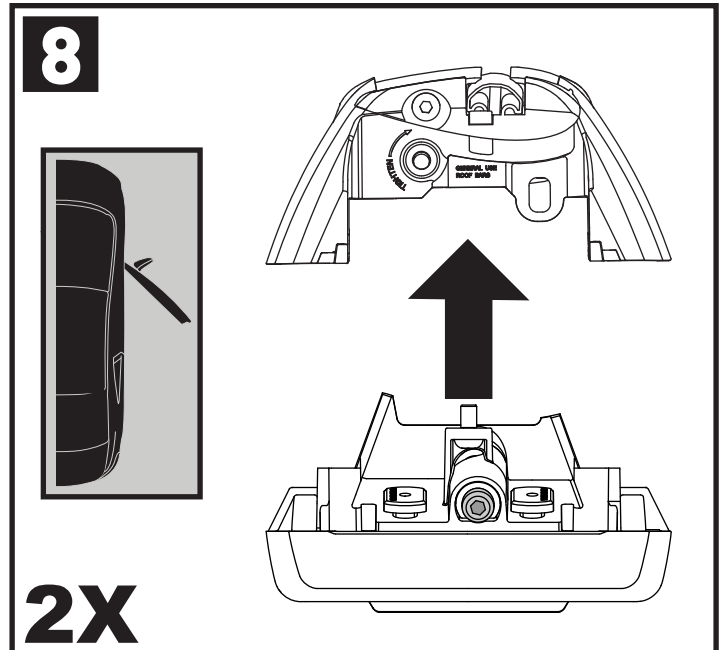
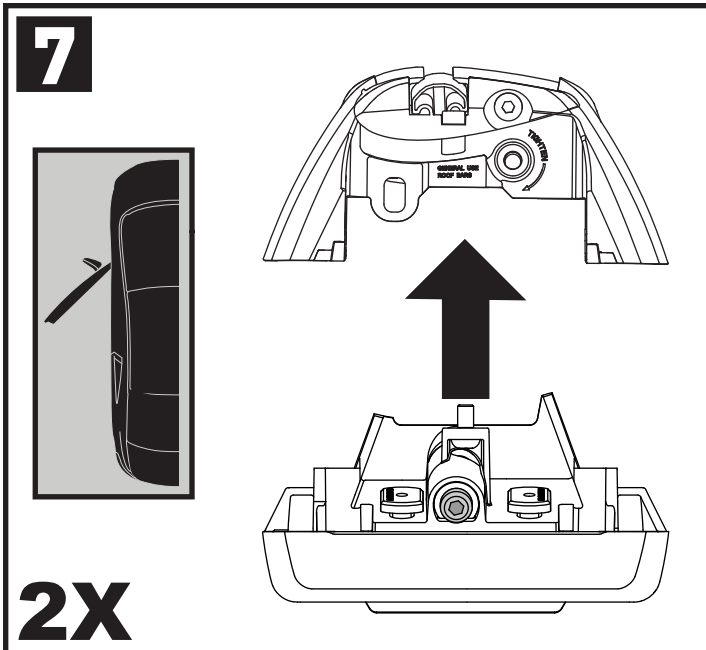
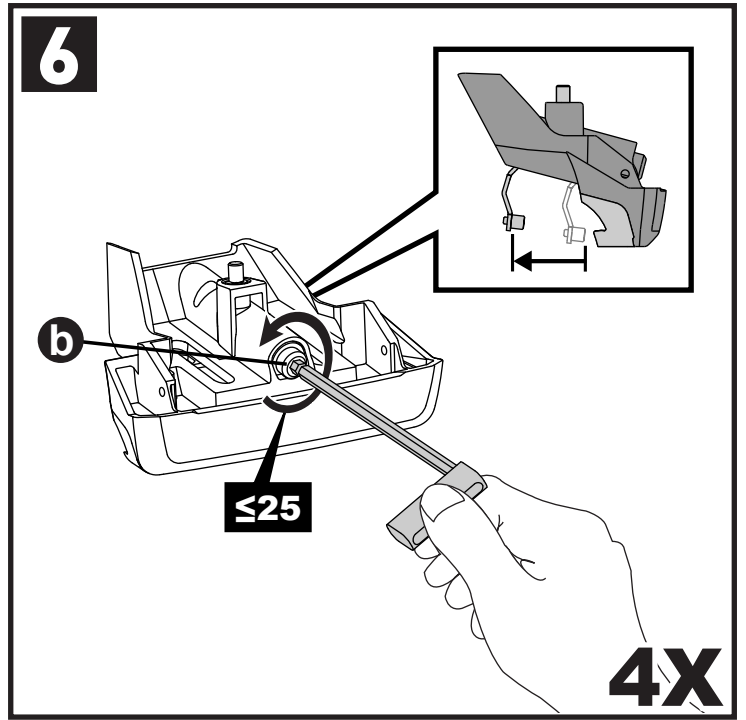
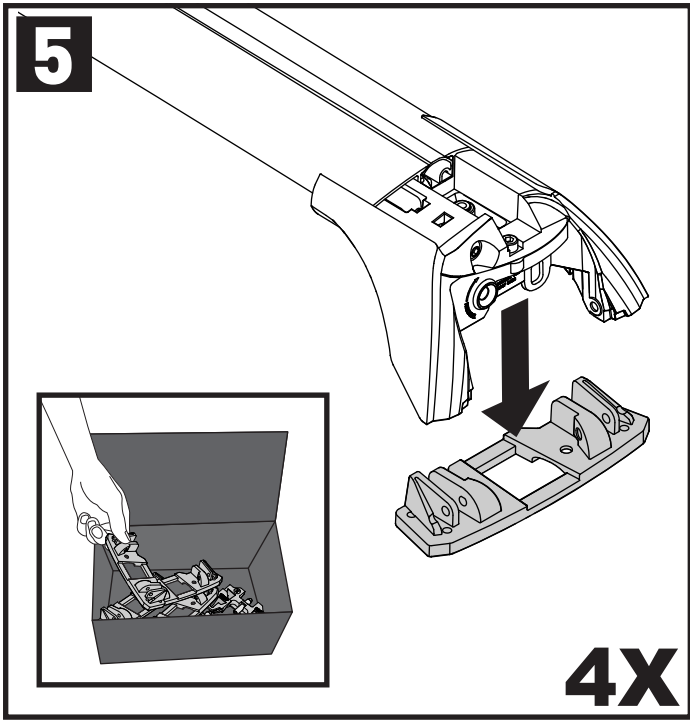
K1025

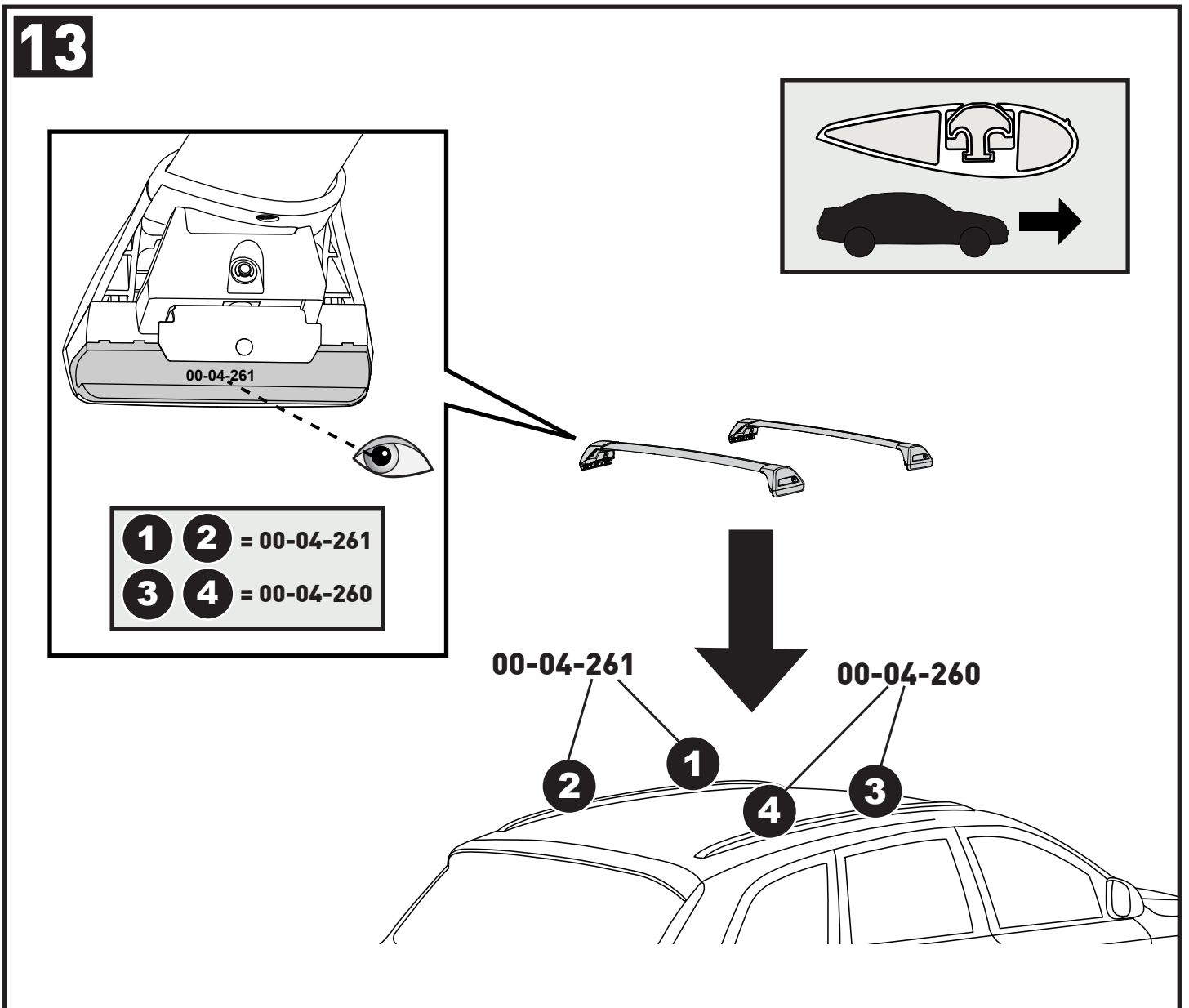
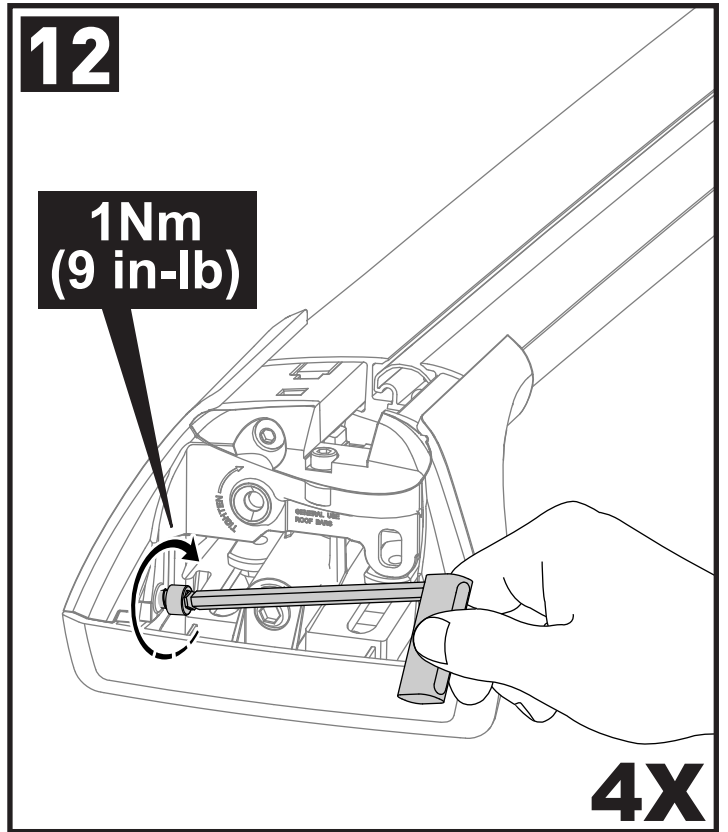
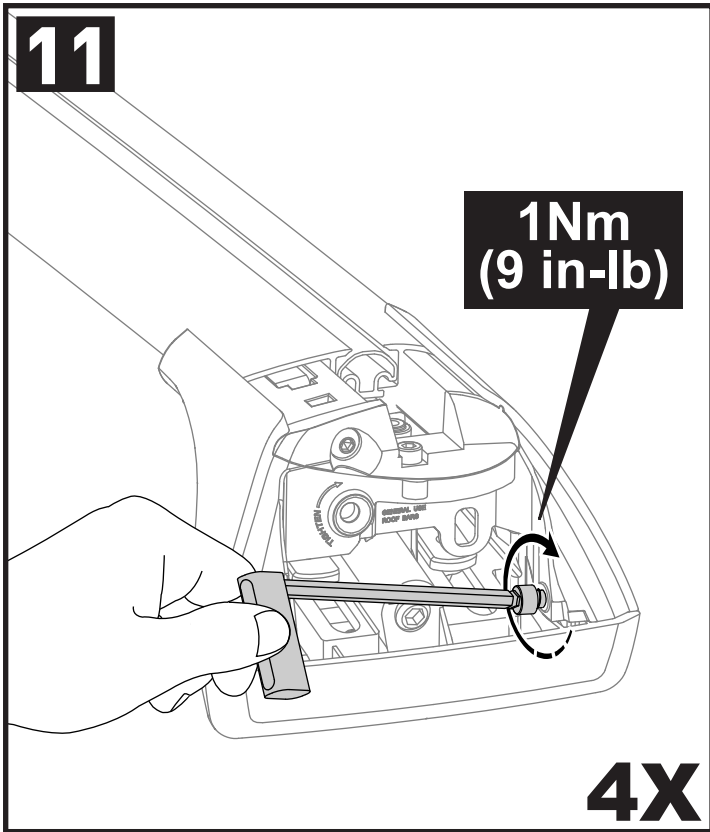


1.1 kg (2.5 lbs.)

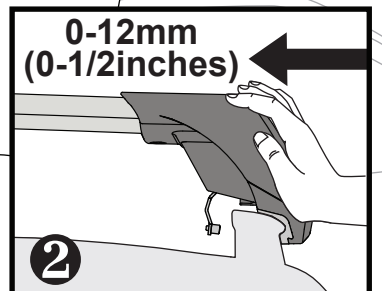
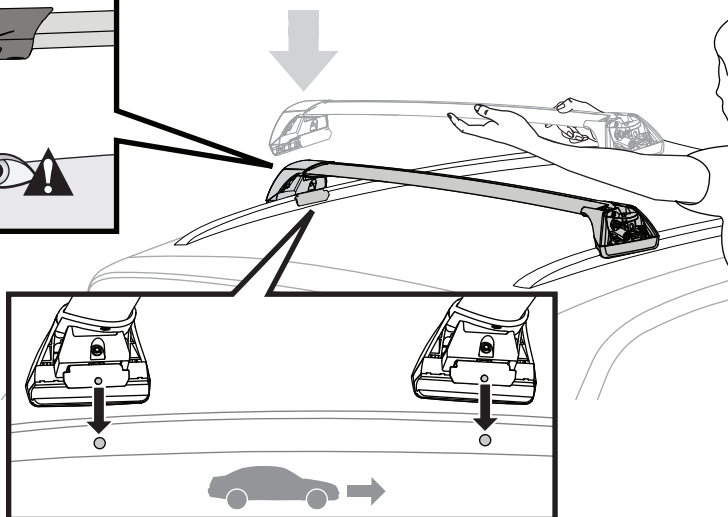
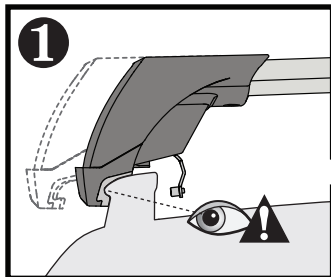
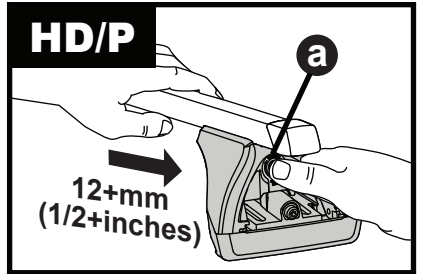
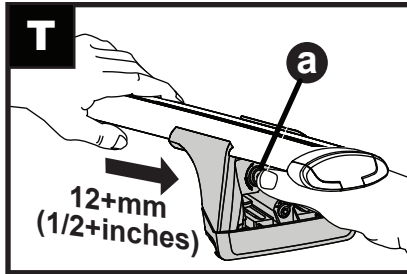
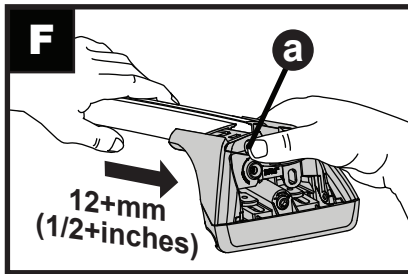






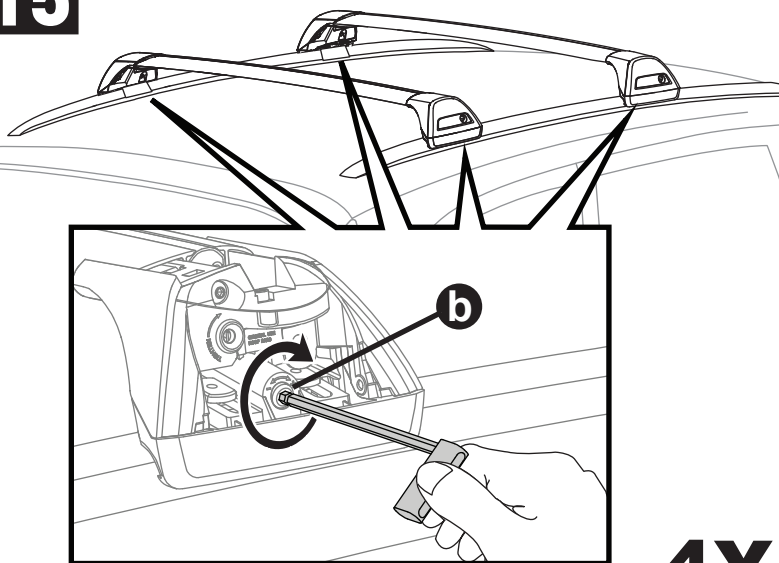


14



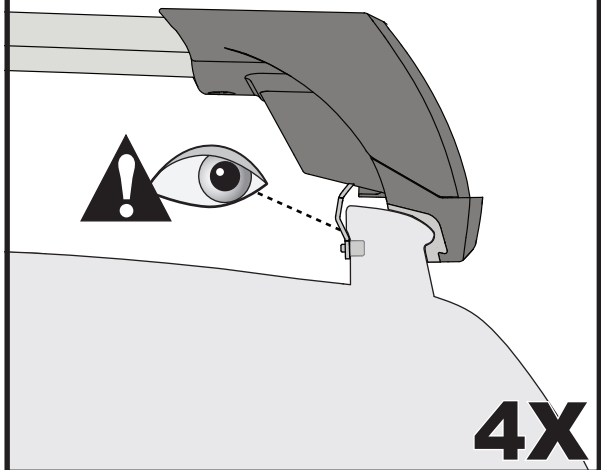
2X

15



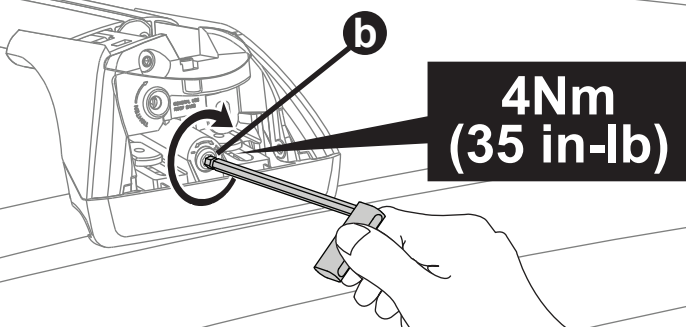
4X

16



4X

17

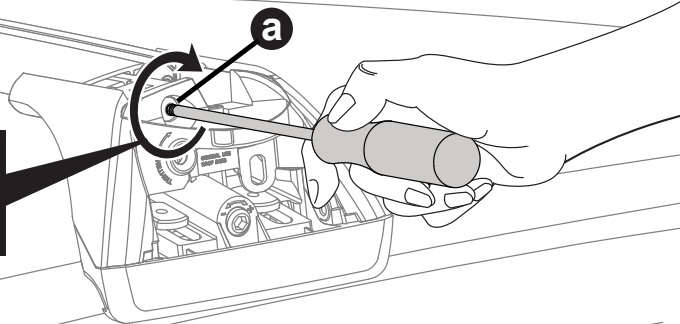


4X

18



3Nm
(27 in-lb)



4X

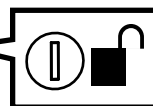
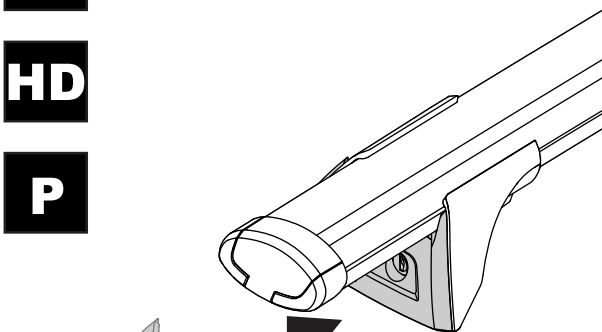
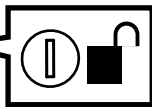
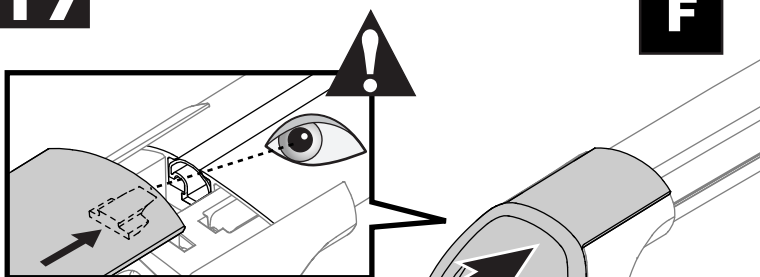
19

F

T

HD

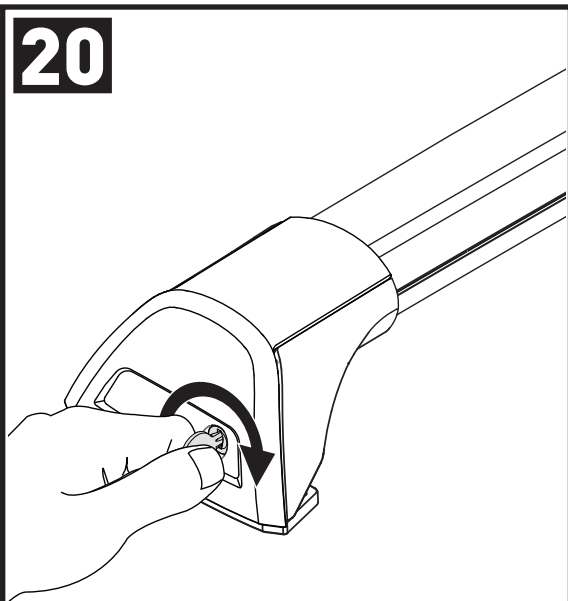
P



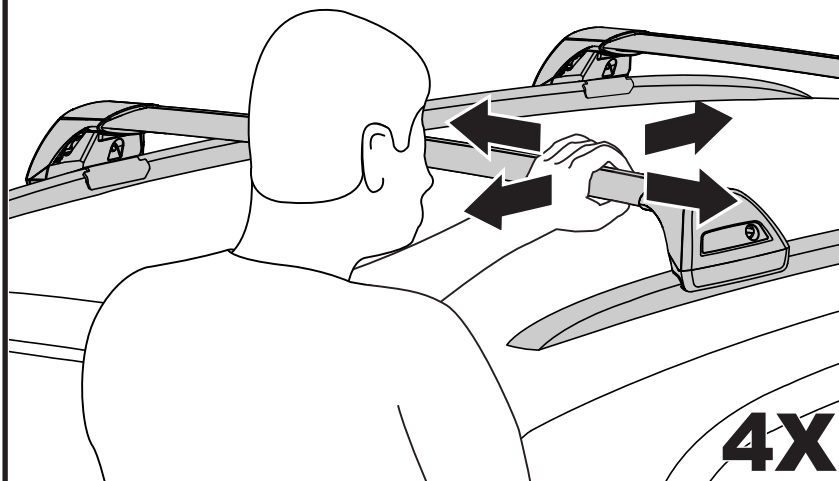
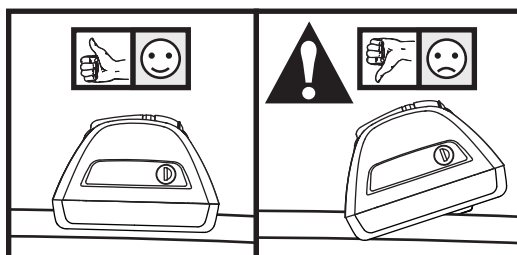
4X

20

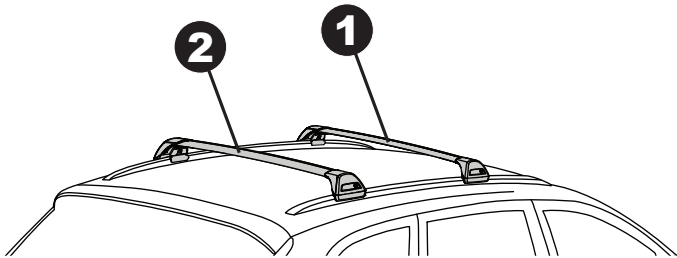
21



4X

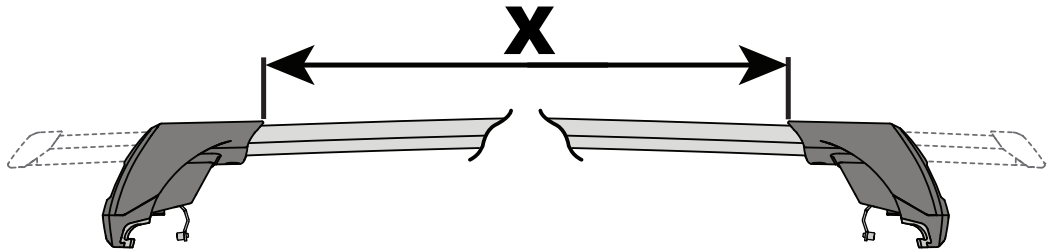


4X



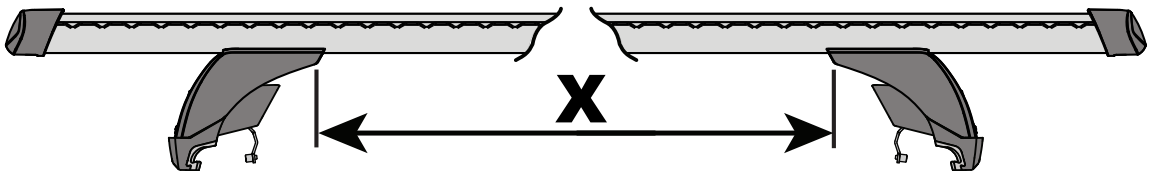
K1025	X 1	X 2
F-Pace	990mm/39"	943mm/37 3/8"

F

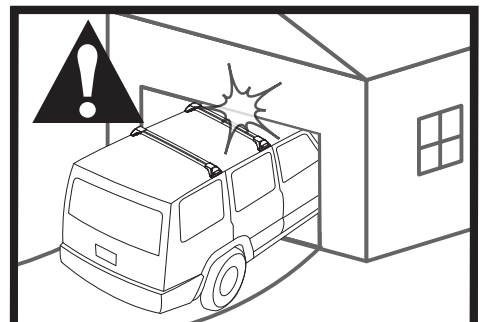
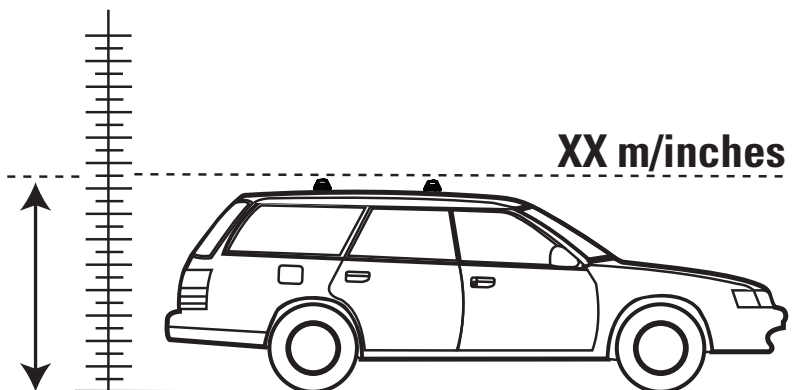
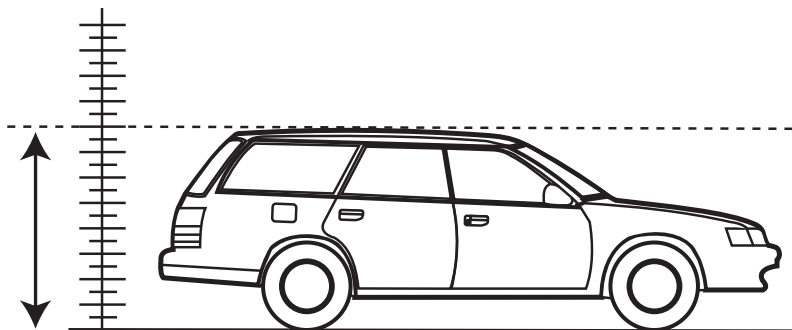
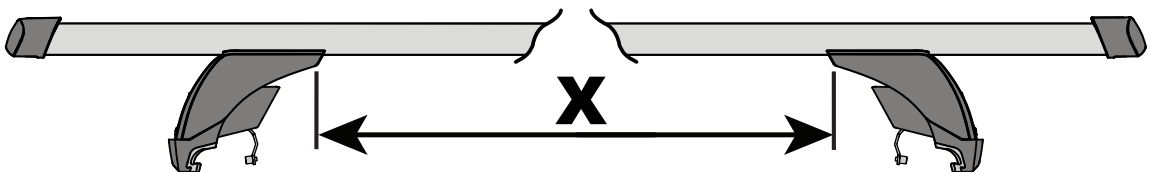


T

HD



P



Record Height Here.
Noter la hauteur ici.
Escriba aquí la altura.
Hier Größe eintragen.
Annotate qui l'altezza.